

Standard Details: Housing G-09 (v1.07)

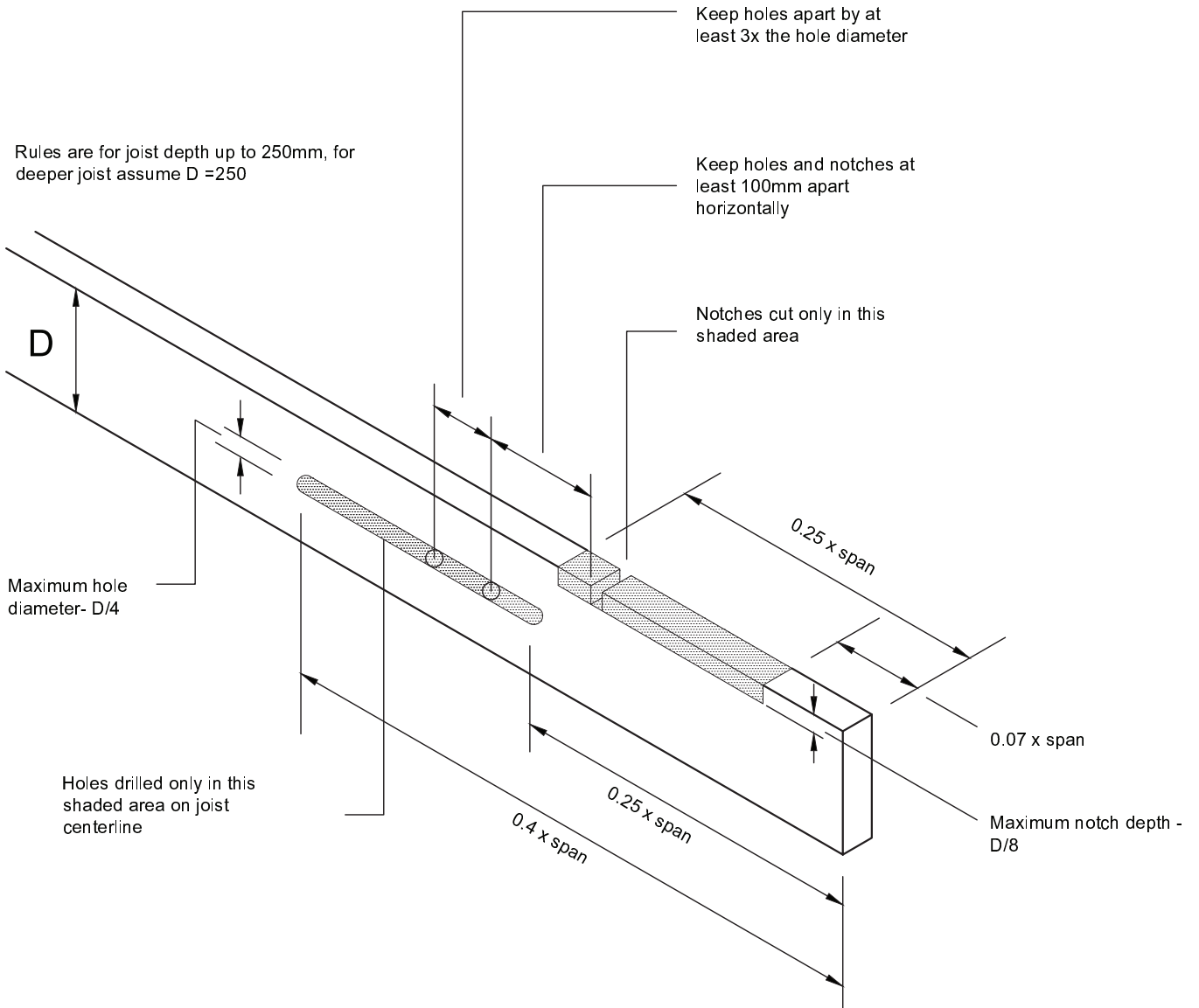
Standard Details

Housing G-09

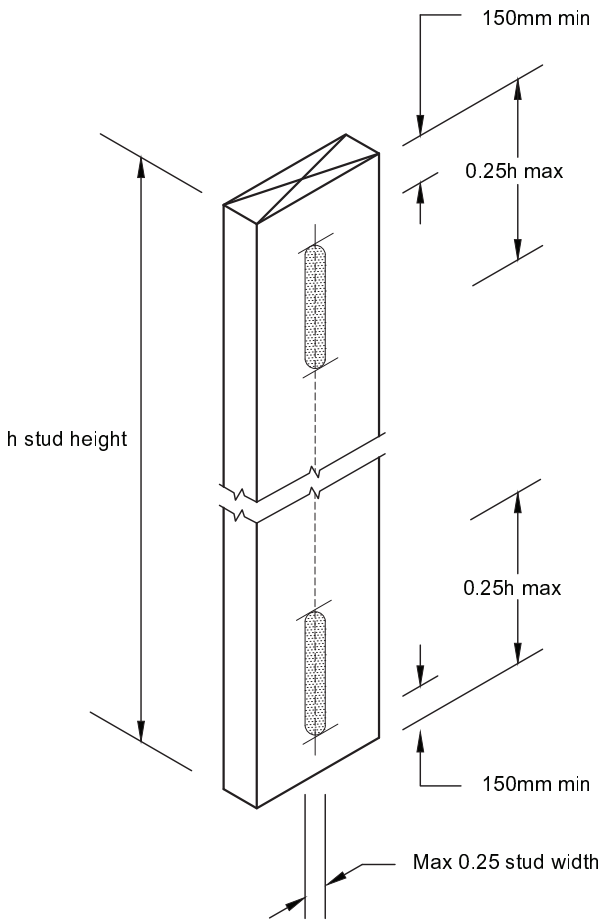
drilling and notching

Issue v1.07

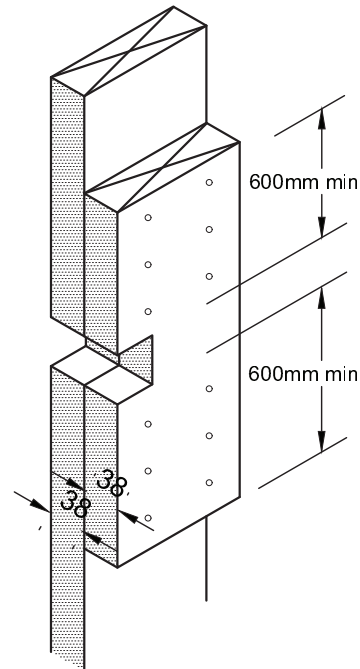
G-09: Drilling and notching of joints



G-10: Drilling and notching of studs



Stud frames should not normally be notched. When this is unavoidable then notches should be as small as possible and positioned towards the end of a stud.



Heavily loaded studs should be reinforced as shown.

If the notch is in a load bearing wall or a bank of cripple studs, this should be referred to the kit designer for approval.



OFP Timber Frame

1 Montagu Road, Discovery Park,
Sandwich, Kent, CT13 9FA

ofptimberframe.com

T: 01304 613298

E: info@ofptimberframe.com